

EU Type-Examination Certificate

Regulation on Personal Protective Equipment (Module B) Temporary approval of filtering half mask to protect against COVID-19 Certificate No.: 0200-PPE-08581 version 2

FORCE Certification A/S (EU-notified body number 0200) has in accordance with the provisions of Recommendation for use No. PPE-R/02.075 and the basic principles of Regulation (EU) 2016/425 of The European Parliament and of The Council of 9 March 2016, issued a temporary EU type-examination certificate to:

Manufacturer: **KM Corp.**

For manufacturing the following personal protective equipment:

Type/Description: **Filtering half mask to protect against COVID-19**

Model/Designation: **Dr. Puri Micro-Dust Protection Mask KF94**

Test scheme: **Recommendation for use PPE-R/02.075 version 1**

Category: **III**

Restrictions for use: **Temporary and limited approval of filtering half mask to protect against COVID-19. This filtering half mask is not a filtering half mask for general use and shall not be used for purposes other than protection against COVID-19.**

The examined sample of personal protective equipment is found to fulfill the relevant requirements of the applied test scheme(s) and to be in compliance with the applicable essential health and safety requirements of Regulation (EU) 2016/425. Documentation for observance of relevant requirements and the basis for the type examination are described in the appendix to this certificate. The manufacturer shall inform FORCE Certification A/S of any contemplated changes.

The validity of this conformity assessment certificate is less than one year. Annual production control according to Regulation (EU) 2016/425 module C2 or D have not been assessed. The certificate may be prolonged following a re-examination of the product(s).

This certificate replaces the former certificate No. 0200-PPE-8581 version 1 due to administrative change of the expiry date. Existing products conforming to the previous version of this certificate remain valid.

Date of issue: **2020-06-04**
Date of expiry: **2021-06-04**


Søren Bo Jensen
Certification Manager


Kasper Munk Eliassen
Examiner

FORCE Certification A/S task No.: **120-26390** / Certificate ID: **08605**

This certificate will remain valid unless cancelled, revoked or expired, provided the conditions in the attached appendix are complied with, and that the equipment remains state of the art within its applicable field of service. Status of this certificate can be verified on www.forcecertification.com. This EU Type-Examination Certificate is the property of FORCE Certification A/S. Extracts of this certificate may only be reproduced with a written permission from FORCE Certification A/S.

Appendix to EU type-examination certificate
Temporary and limited approval of
filtering half mask to protect against COVID-19

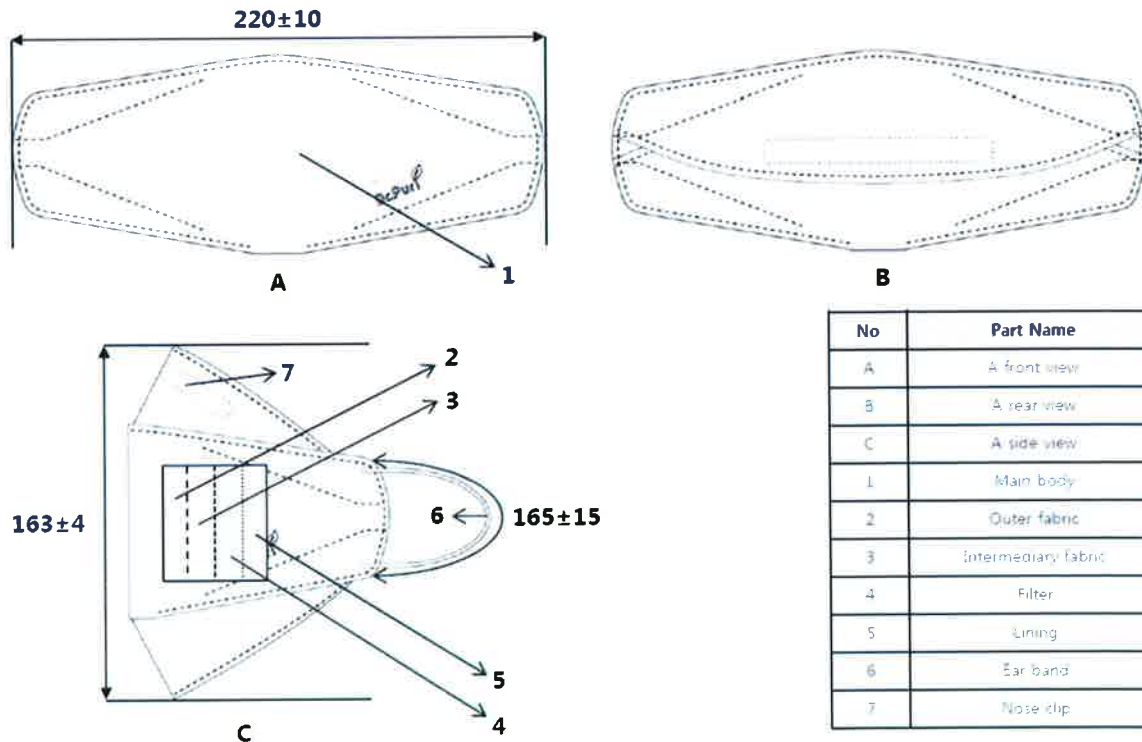
Certificate No.: 0200-PPE-08581 version 2
 Issued by FORCE Certification A/S - EU-notified body number 0200

Manufacturer: KM Corp.
 147 Hyeopdongdanji-gil
 Miyang, Anseong-si
 Gyeonggi-do
 South Korea

Identification of personal protective equipment:

Type/Description: Filtering half mask to protect against COVID-19
 Model/Designation: Dr. Puri Micro-Dust Protection Mask KF94
 Test scheme: Recommendation for use PPE-R/02.075 version 1
 Restrictions for use: Temporary and limited approval of filtering half mask to protect against COVID-19. This filtering half mask is not a filtering half mask for general use and shall not be used for purposes other than protection against COVID-19.
 Category: III

Design:



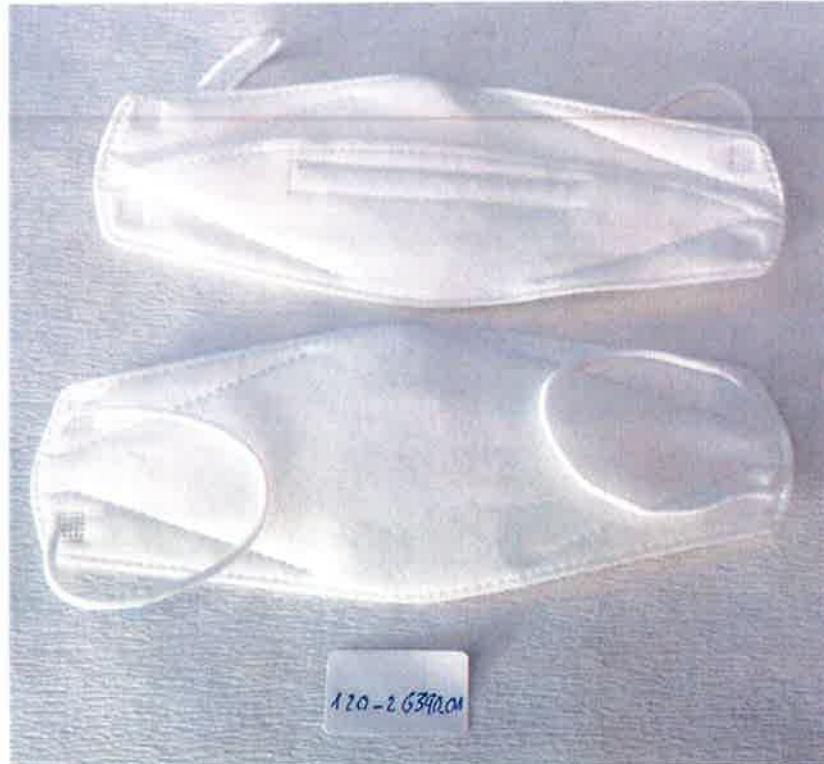
No	Part Name
A	A front view
B	A rear view
C	A side view
1	Main body
2	Outer fabric
3	Intermediary fabric
4	Filter
5	Lining
6	Ear band
7	Nose clip

KM Corp.
 94KF / 80KF

Appendix to EU type-examination certificate
Temporary and limited approval of
filtering half mask to protect against COVID-19

Certificate No.: 0200-PPE-08581 version 2
Issued by FORCE Certification A/S - EU-notified body number-0200

Photo



History:

Issue/change:	Certificate No.:	Certificate ID:	Issue date:
- Original certificate	0200-PPE-08581 version 1	08581	2020-05-29
- Administrative extension of validity, 12 month	0200-PPE-08581 version 2	08605	2020-06-04

Place(s) of Production:

Final assembly	Address
KM Corp.	147 Hyeopdongdanji-gil Miyang, Anseong-si Gyeonggi-do South Korea

Appendix to EU type-examination certificate
Temporary and limited approval of
filtering half mask to protect against COVID-19

Certificate No.: 0200-PPE-08581 version 2
Issued by FORCE Certification A/S - EU-notified body number 0200

Documentation for observance of relevant technical requirements stated in the applied test scheme:

Test house	Report No.:	Testing/Inspection of:
- FORCE Technology	120-26390.01	RfU 02/075 type-examination of filtering half mask

Partial conclusion: The requirements stated in the applied test scheme are fulfilled for the relevant test clauses and nominal protection factor.

Further documentation for observance of relevant/limited requirements stated in Annex III of Regulation (EU) 2016/425:

- | | |
|---------------------------------------|--|
| - Risk assessment: | Integrated part of application |
| - List of applicable EHSR | Integrated part of application |
| - List of materials and sub-suppliers | Bill of materials, as presented in the technical file received 2020-05-28 |
| - Description of quality system | Quality systems certificates as presented in technical file received 2020-05-28 |
| - User information and marking | Markings on product, received by e-mail on 2020-05-28
Markings on package (box and bag), received by e-mail on 2020-05-28
Instructions for use, received by e-mail on 2020-05-28 |
| - Declaration of innocuousness | Integrated part of application |

The user information and marking was assessed in English.

Conclusion

Based on the above-mentioned attestation it can be concluded that the filtering half mask to protect against COVID-19, designated Dr. Puri Micro-Dust Protection Mask KF94, meets the conditions of a temporary and limited approval according to Regulation (EU) 2016/425.

FORCE Certification A/S task No.: 120-26390
Date: 2020-06-04



Kasper Munk Eliassen
Examiner